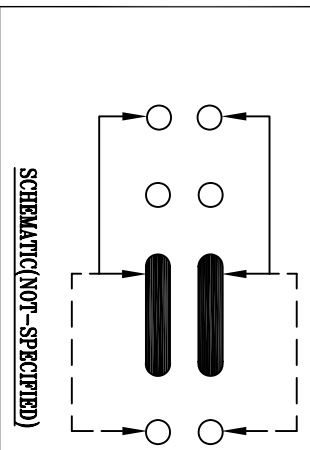
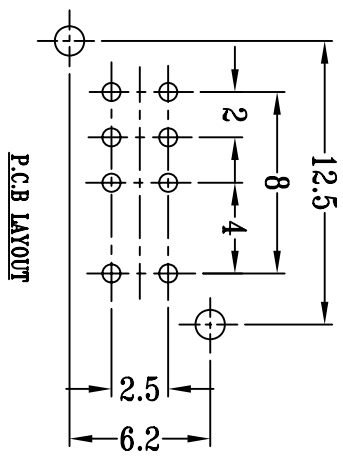
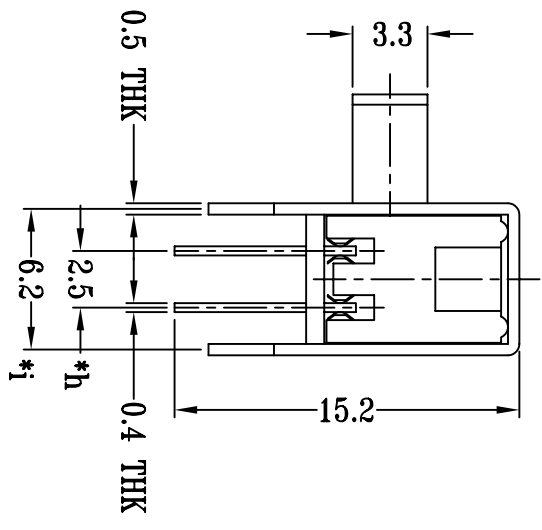
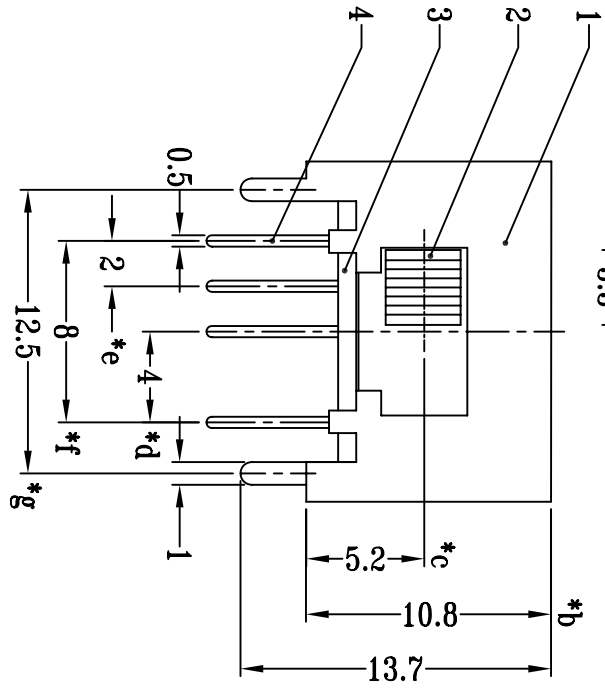
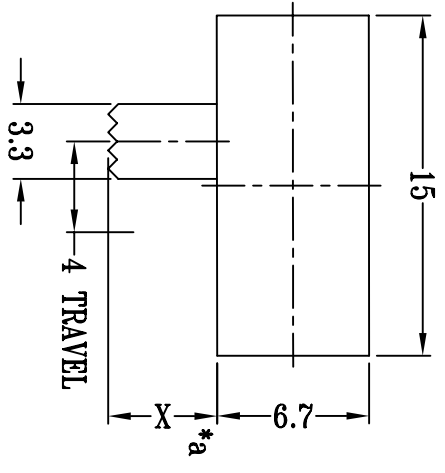




CAD FILE:



注:带*表示关键尺寸(9个)

8	STEEL BALL	STEEL	1	NATURAL	<p>TOLERANCE UNLESS SPECIFIED</p> <p>WITHIN: 1.5±0.1mm OVER: 1.5±0.2mm</p> <p>ISSUE</p> <p>DATE</p> <p>DESCRIPTIONS OF REVISION</p> <p>APPD.</p>	<p>SHENZHEN XIEJIA ELECTRONICS CO.,LTD.</p>			
7	STEEL BALL	STEEL	1	NATURAL					
6	SPRING	STEEL WIRE	1	TEMPER					
5	CONTACT CLIP	PBS STRIP	2	Ag PLATED					
4	TERMINAL	BRASS STRIP	8	Ag PLATED OVER Ni PLATED					
3	BASE	PHENOLIC RESIN	1	NATURAL					
2	KNOB	POM	1	BLACK					
1	FRAME	STEEL STRIP	1	Ni PLATED					
NO.		PARTS		MATERIALS		Q'TY	FINISH		<p>ALL MATERIALS MUST BE COMPLIANT TO ROHS</p>
					<p>UNIT: mm</p> <p>SCALE: 3:1</p> <p>DRWG NO.: XJ-DR-SK22H23-00</p>				
		DWN.		ZHOUYU		2001-9-12			
		CHK'D		FANGYING		2001-9-12			
		APPD.		KANGXIAN		2001-9-12			